



Hopper with auger

I Application

Thanks to the hopper and auger, the KSFT progressive cavity pumps are suitable for pumping high viscosity products, doughs, pastes and liquids with suspended particles.

I Design and features

KSFT type is a sanitary progressive cavity pump.
 Close-coupled construction with direct coupling to the drive.
 Pump casing with hopper.
 Fixed transmission.
 Eccentric outlet.

I Technical specifications

<i>Materials:</i>	
Parts in contact with the product	Stainless steel AISI 316L (1.4404)
Auger	Stainless steel AISI 304 (1.4301)
Other steel parts	Stainless steel AISI 304 (1.4301)
Flange support	GG-22
Stator	black NBR (according to FDA and EC 1935/2004)
Gaskets in contact with the product	FPM (according to FDA and EC 1935/2004)

Single internal mechanical seal EN 12756 I1k (according to FDA and EC 1935/2004):

Rotary part	Silicon carbide (SiC)
Stationary part	Carbon (C)
Gaskets	FPM

Surface finish:

Internal	Bright polish, except for electropolished auger
External	Matt

Connections:

- DIN 11851
- CLAMP
- SMS

Operating limits (depending on the model):

Maximum flow	34 m ³ /h	148 US GPM
Maximum working pressure		
- single stage	6 bar	87 PSI
- double stage	12 bar	174 PSI
Maximum working temperature	85 °C (depending on materials)	185 °F
Maximum speed	500 rpm	



I Technical specifications

Type	Capacity at 100 rev. [l]	Max. flow [m³/h]	Max. pressure [bar]		Max. speed [rpm]	Min. starting torque [Nm]	
			Single stage	Double stage		Single stage	Double stage
KSFT-20	2,8	0,82	6	12	500	18	30
KSFT-25	6,7	2			500	20	36
KSFT-30	9,8	2,9			500	25	45
KSFT-40	23,7	5,7			400	45	80
KSFT-50	45,1	9,5			350	70	125
KSFT-60	82	17,2			350	110	190
KSFT-80	185,4				300	150	260

I Options

Single flushed mechanical seal (Quench).

Mechanical seal: SiC/SiC.

Gland packing.

Stators: white EPDM and black NBR.

Gaskets: EPDM.

Other types of connections.

Heavy-duty transmission.

Stainless steel trolley.

Electrical control panel.

Cleaning port (CIP).

ATEX certification.

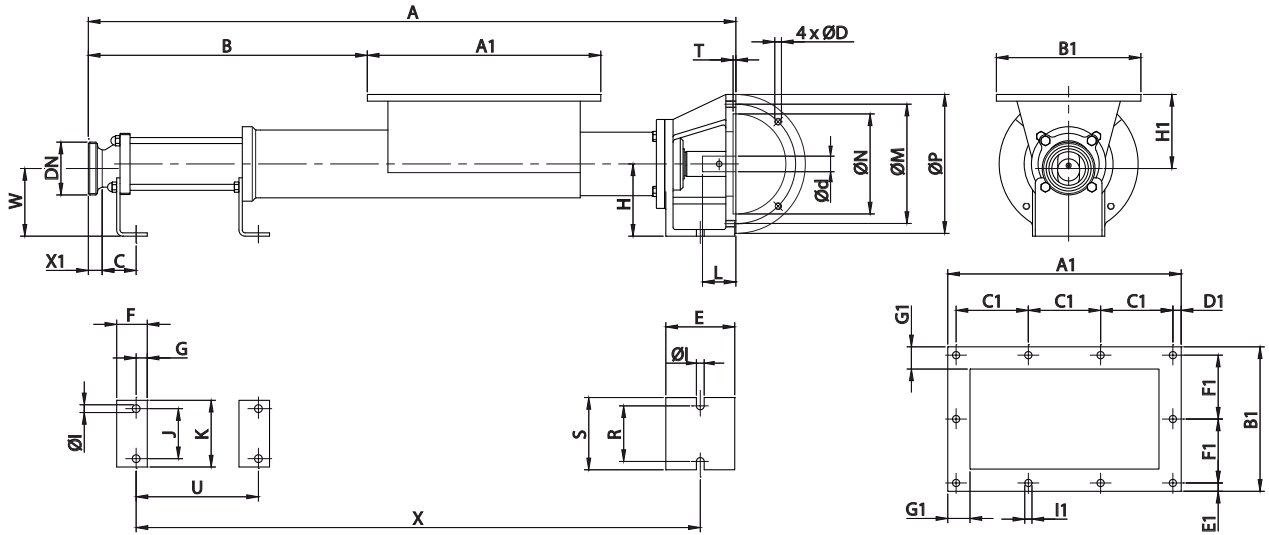
I Dimensions

Type	A1	B1	C1	D1	E1	F1	G1	I1
KSFT-20 2KSFT-20	300	210	70	10	10,5	63	25	10
KSFT-25 2KSFT-25	365	250	69	10	10	57,5	30	12
KSFT-30 2KSFT-30	365	250	69	10	10	57,5	30	12
KSFT-40 2KSFT-40	420	260	130	15	15	115	40	14
KSFT-50 2KSFT-50	420	260	130	15	15	115	40	14
KSFT-60	585	340	110	17,5	15,5	103	40	14
KSFT-80	585	340	110	17,5	15,5	103	40	14

Type	DN	DIN 11851	SMS	CLAMP OD
		X1		
KSFT-20 2KSFT-20	40 1½"	22	23	14
KSFT-25 2KSFT-25	50 2"	23	23	21
KSFT-30 2KSFT-30	50 2"	23	23	21
KSFT-40 2KSFT-40	65 2½"	25	27	20
KSFT-50 2KSFT-50	80 3"	40	27	21
KSFT-60	100 4"	30	30	21,5
KSFT-80	100 4"	30	30	21,5



I Dimensions



Type	DN	d		L		A	B	C	D	E	F	G	H	H1	I	J	K	M	N	P	R	S	T	U	X	W	Weight kg
		min.	max.	min.	max.																						
KSFT-20	40	19	24	42	52	667	222	35	M8	101	35	12	90	88	11	45	70	130	110	160	70	100	5	105	581	87	11
2KSFT-20	1½"	19	24	42	52	767	322																				
KSFT-25	50	24	28	52	62	835	308	39	M10	110	40	15	110	128	11	60	90	165	130	200	90	120	5	166	739	107	18
2KSFT-25	2"	24	28	52	62	927	400																				
KSFT-30	50	24	28	52	62	835	308	39	M10	110	40	15	110	131	11	60	90	165	130	200	90	120	5	166	739	104	19
2KSFT-30	2"	24	28	52	62	985	458																				
KSFT-40	65	24	30	52	72	1050	427	61	M12	124	55	20	130	133	14	90	120	215	180	250	100	130	5	223	925	122	32
2KSFT-40	2½"	24	30	52	72	1240	617																				
KSFT-50	80	24	30	52	72	1111	488	65	M12	124	55	20	130	138	14	90	120	215	180	250	100	130	5	280	982	117	36
2KSFT-50	3"	24	30	52	72	1365	742																				
KSFT-60	100	35	42	72	112	1415	613	70	M12	121	60	20	160	174	18	130	170	265	230	300	150	190	5	330	1283	146	68
KSFT-80	100	35	42	72	112	1545	473	90	M12	121	60	20	160	188	18	130	190	265	230	300	150	190	5	440	1393	132	85



FT:KIBER_KSFT.1.EN-0317

I Performance chart

